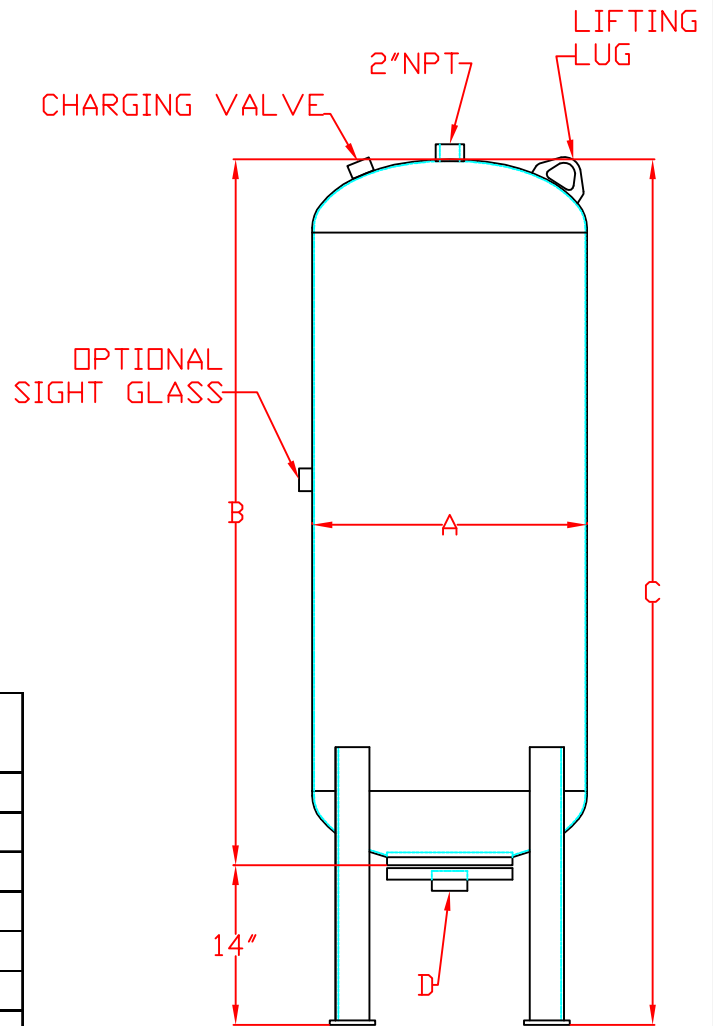


Delta bladder expansion tanks are designed to absorb pressure created by expanding fluid in hydronic & cooling systems. When properly installed, the pressure control provided by these tanks will help prevent blowing of relief valves and BTU loss. The removable bladders are suitable for hot water applications and intended for potable water.

ASME CODE SEC. VIII DIV. 1
NATIONAL BOARD REGISTERED
CARBON STEEL
PRIMER EXTERIOR
125 PSI DESIGN
STANDARD BLADDER MAX 240°F
(OTHER DESIGN PRESSURES AND
BLADDERS AVAILABLE)
PRE-CHARGED TO 12 PSI

*CUSTOM SIZES AVAILABLE



ALL DIMENSIONS ARE IN INCHES

MODEL	VOLUME (GAL)	A	B	C	D
DET-080-B-PW	80	20	62 7/8	76 7/8	2
DET-105-B-PW	105	24	56	70	2
DET-120-B-PW	120	24	66	80	2
DET-135-B-PW	135	24	71 1/2	85 1/2	2
DET-158-B-PW	158	30	58	72	2
DET-211-B-PW	211	30	76	90	2
DET-264-B-PW	264	36	67	81	2
DET-317-B-PW	317	36	78 1/2	92 1/2	2
DET-370-B-PW	370	36	91	105	2
DET-422-B-PW	422	48	63 1/2	77 1/2	2
DET-528-B-PW	528	48	77 3/8	91 3/8	2
DET-660-B-PW	660	48	94	108	2
DET-793-B-PW	793	48	122 7/8	136 7/8	2
DET-1056-B-PW	1056	54	132	146	2 1/2
DET-1320-B-PW	1320	54	151	165	2 1/2
DET-1600-B-PW	1600	72	107	121	2 1/2
DET-2000-B-PW	2000	72	130	144	2 1/2
DET-2640-B-PW	2640	72	164	178	2 1/2
DET-2800-B-PW	2800	72	174	188	3
DET-3000-B-PW	3000	72	186	200	3
DET-3963-B-PW	3963	72	230	244	3

Dimensions are subject to change.
Weights are approximate.