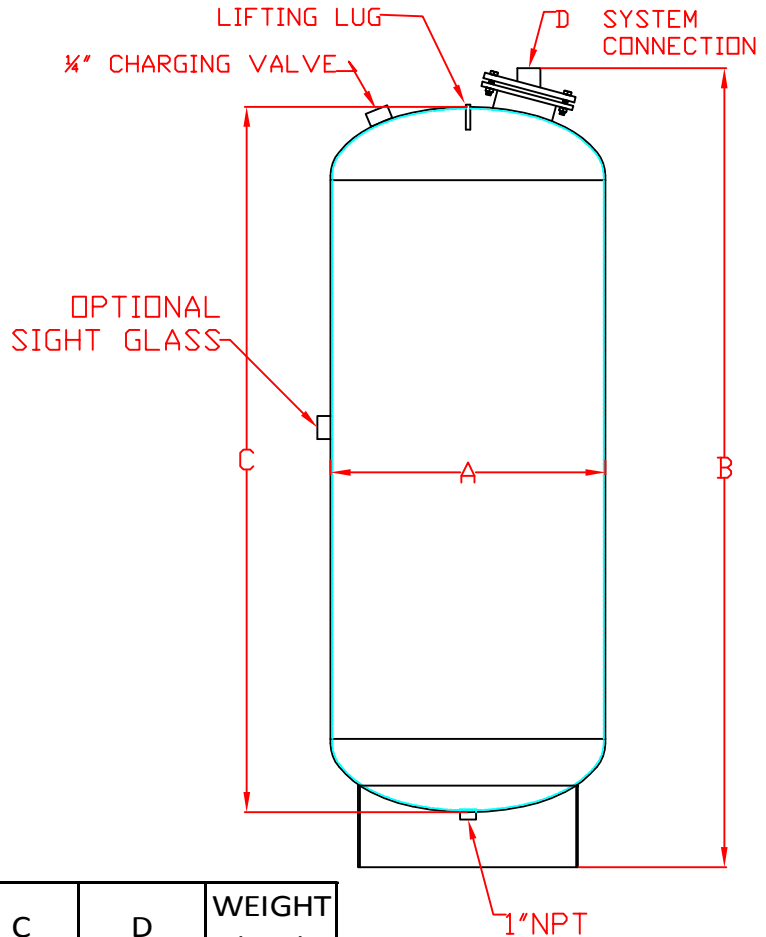


Delta bladder expansion tanks are designed to absorb pressure created by expanding fluid in hydronic & cooling systems. When properly installed, the pressure control provided by these tanks will help prevent blowing of relief valves and BTU loss. The removable bladders are suitable for hot water applications and intended for potable water.

ASME CODE SEC. VIII DIV. 1
NATIONAL BOARD REGISTERED
CARBON STEEL
PRIMER EXTERIOR
125 PSI DESIGN
STANDARD BLADDER MAX 240°F
(OTHER DESIGN PRESSURES AND
BLADDERS AVAILABLE)
PRE-CHARGED TO 12 PSI

*CUSTOM SIZES AVAILABLE



1\"NPT
DIMENSIONS ARE IN INCHES

MODEL	VOLUME (GAL)	A	B	C	D	WEIGHT (LBS)
DFA-140-PW	37	20	47	37	1 1/2	192
DFA-215-PW	57	20	56	46 1/4	1 1/2	285
DFA-300-PW	82	24	57 1/2	47 1/4	1 1/2	317
DFA-450-PW	120	24	77 1/2	67	1 1/2	395
DFA-600-PW	165	30	69 1/4	59	1 1/2	458
DFA-800-PW	210	30	87 1/4	77	1 1/2	585
DFA-1000-PW	264	36	78	67 1/2	1 1/2	788
DFA-1200-PW	317	36	84	73 1/2	1 1/2	935
DFA-1400-PW	370	36	102	91 1/2	1 1/2	1018
DFA-1600-PW	422	48	73 3/4	64 1/4	1 1/2	1375
DFA-2000-PW	528	48	87 1/2	78	1 1/2	1430
DFA-2500-PW	660	48	111	102	1 1/2	1648
DFA-3000-PW	792	60	80	73	2	2160
DFA-4000-PW	1056	60	102	82	2	2633
DFA-5000-PW	1320	60	129	122	2	3240

Dimensions are subject to change.
Weights are approximate.