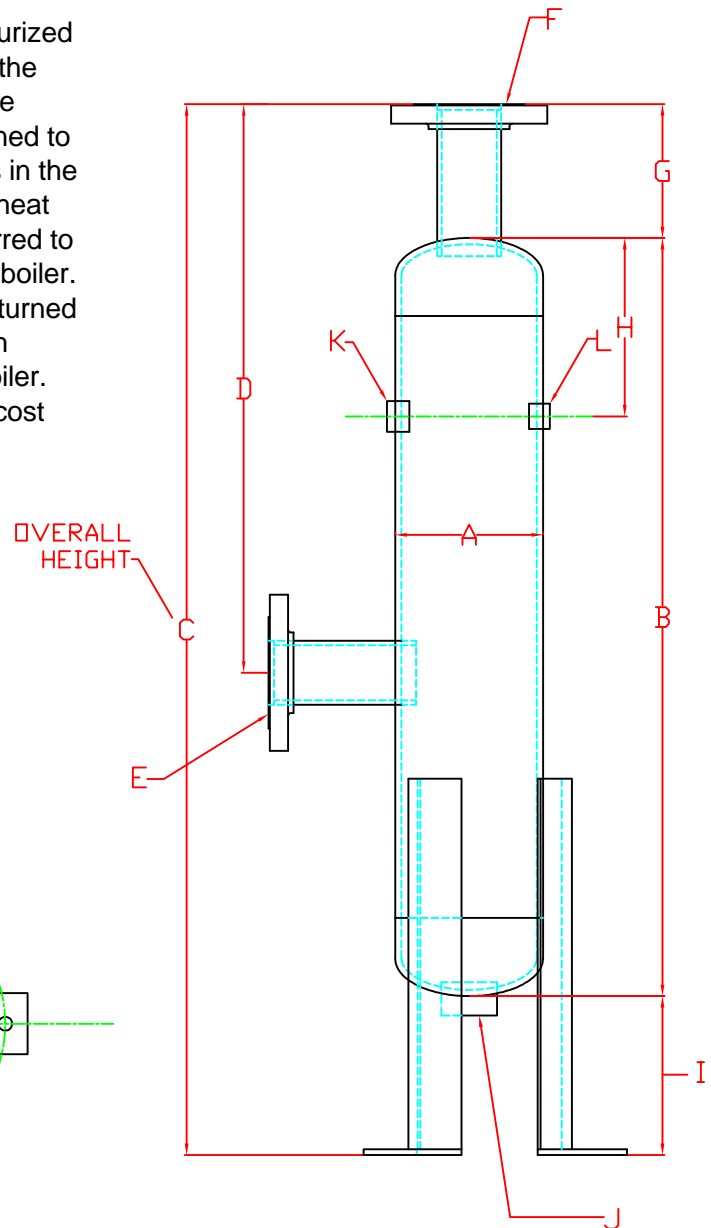
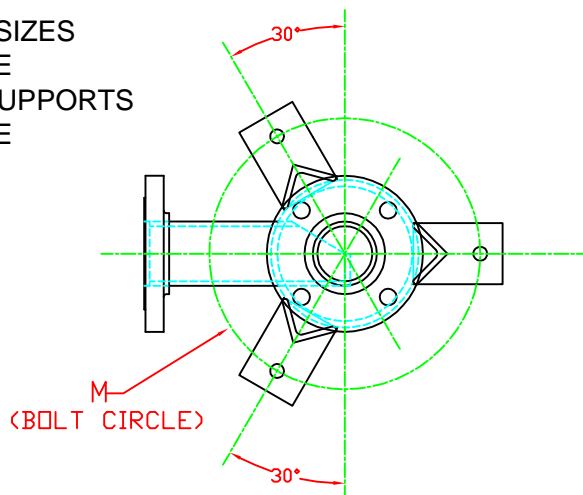


Delta flash tanks play an integral role in conserving energy during routine boiler blowdown operations. When controlled release of hot pressurized waste water from the boiler enters the flash tank, the reduced pressure environment causes some of the water to flash into steam. The flash tank is designed to direct the steam and hot water to separate outlets in the tank. The hot water may then be channeled to a heat recovery exchanger where heat energy is transferred to fresh water that is going to be introduced into the boiler. The steam is diverted to a deaerator before it's returned to the boiler. The deaerator removes gases which would otherwise rust/corrode the interior of the boiler. The Delta flash tank allows for these energy and cost conserving devices to be used.

ASME CODE SEC. VIII DIV. 1
NATIONAL BOARD REGISTERED
CARBON STEEL
PRIMER EXTERIOR
150 PSI DESIGN
(OTHER DESIGN PRESSURES AVAILABLE)

*CUSTOM SIZES AVAILABLE
*OTHER SUPPORTS AVAILABLE



ALL DIMENSIONS ARE IN INCHES

MODEL	A	B	C	D	E	F	G	H	I	J	K	L	M	WEIGHT (LBS)
DVFT-025	6 5/8	34	47 1/8	25 1/2	2 1/2	2 1/2	6	8	7 1/8	3/4	1 1/2	1/2	10 9/16	100
DVFT-040	8 5/8	35	48 1/4	23 1/4	4	4	6	8	7 1/4	3/4	2	1/2	8 3/8	115
DVFT-050	12 3/4	36 3/4	50 1/2	27	5	5	6	10	7 3/4	1 1/2	3	1/2	12 1/4	183
DVFT-060	16	49 5/8	58 5/8	32 5/8	6	6	4	10	5	2	2	1/2	16	221

Dimensions are subject to change.
Weights are approximate.